



**Fisher & Paykel**

**Parts Manual**

# **Electronic 790 Quantum Refrigerator / Freezer**

## **Models**

E521TL E521TR E522BL  
E522BR

**Series  
B**



**517729**



## PRODUCTS

**Brand** Fisher & Paykel

**Voltage** 220-240V 50Hz, 220V 60Hz+, 110-115V 60Hz\*

**Model Code**

E521TL 11681 11689 11774 11805

E521TR 11680 11688 11702 11714 11775 11806 11813 11825 11829+  
11842 12380\*

E522BL 11683 11692 11776 11803

E522BR 11682 11691 11703 11715 11777 11804 11814 11826 11830+  
11843 12379\*

Fisher & Paykel Customer Services  
PO Box 798  
19 Enterprise St  
Cleveland, Queensland 4163  
Australia  
Tel: (07) 3826 9122  
Fax: (07) 3826 9164  
Email: parts@fp.com.au  
A.C.N 003 335 171

Fisher & Paykel Ltd  
Whiteware Spare Parts  
PO Box 14-148, Panmure.  
80 Springs Rd, East Tamaki  
New Zealand  
Tel: (09) 272 0261  
Fax: (09) 272 0219  
Email: parts@fp.co.nz



## CONTENTS

DOOR ASSEMBLIES TOP FREEZER .....	4
DOOR ASSEMBLIES BOTTOM FREEZER .....	8
CABINET TOP FREEZER .....	12
CABINET BOTTOM FREEZER .....	16
FAN AND EVAPORATOR ASSEMBLIES .....	20
ELECTRONIC MODULE AND DUCT COVERS .....	24
ACTV SMART ST4 TERMINALS PLUGS & SOCKETS .....	26
COMPRESSOR AND POWER MODULE .....	28
NOTES .....	32
REFRIGERATION ABBREVIATION KEY .....	33

### GUIDE TO USING THIS MANUAL

The model(s) and/or series covered by this manual are listed on the front cover.

The information detailed in this manual is subject to change without notice, the latest version is indicated by the reprint date and replaces any earlier editions.

The front cover picture shows the type of product and may not necessarily be an exact image of the models covered by the manual.

#### Part References

Where a Model is shown, the part is exclusive to the Model(s) stated. Common parts relating to a part reference are applicable to all other Model(s) which use the particular item.

#### Kit Parts

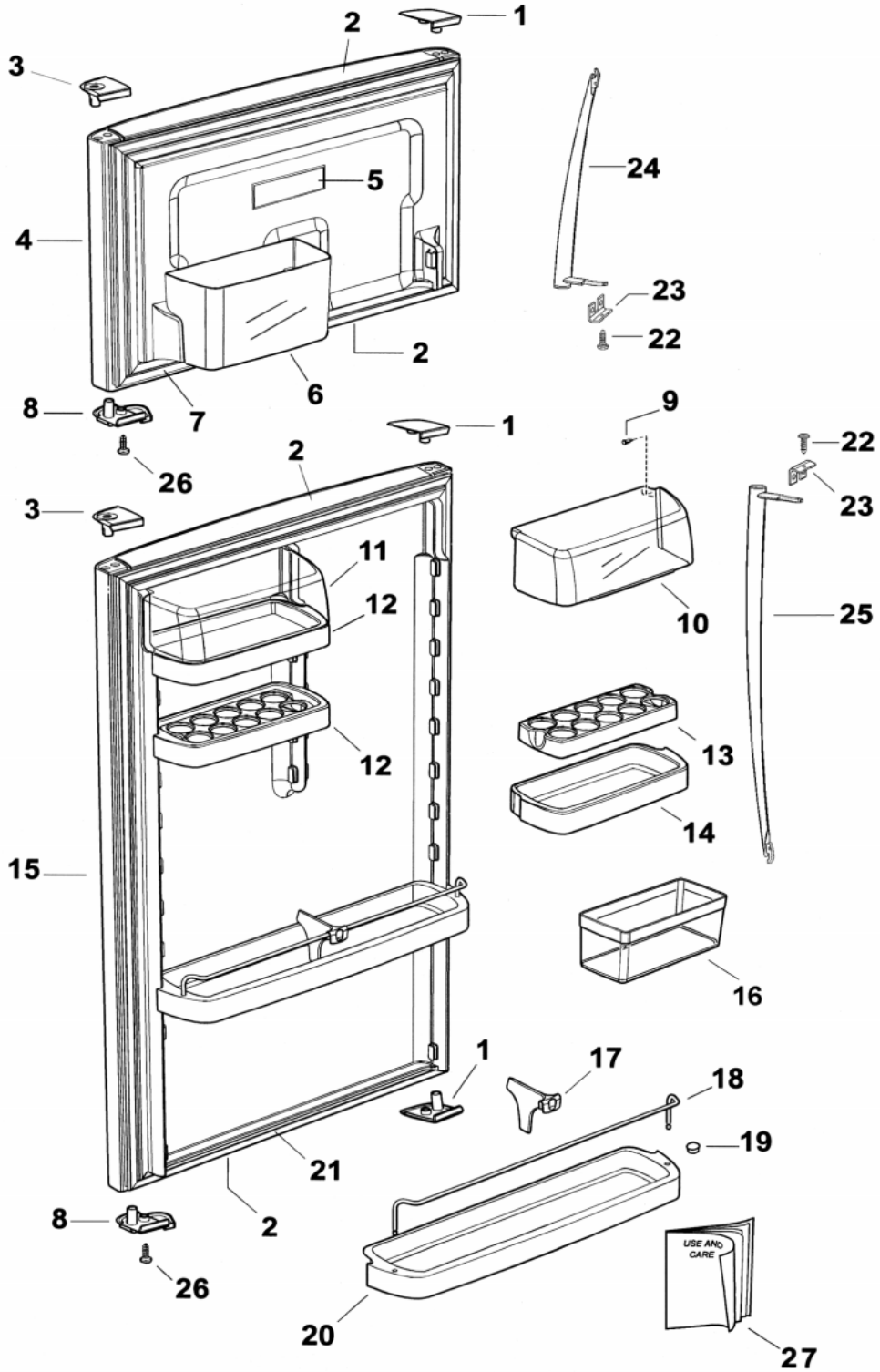
The components shown in *italics* are those parts in the kit which are available also as separate items. In addition, some parts may be supplied with this kit which are not available as separate items and are therefore not listed in this manual.

All details relating to Technical Bulletins or Notes are shown on a dedicated page. The Technical Bulletin Number shown relates to the bulletin version which is produced for New Zealand Service Centres.

#### Parts List Key

NOT USED	As a part, indicates the diagram part reference is not used in this manual.
#	Beside the part number, indicates the part is no longer available.
<i>italics</i>	Kit components shown in <i>italics</i> are also available separately.
*	Indicates a technical bulletin or note exists for the part or part reference.
NI	As a part reference, indicates the part is not illustrated on the diagram.

# DOOR ASSEMBLIES TOP FREEZER



**DOOR ASSEMBLIES TOP FREEZER**

<b>REF</b>	<b>PART</b>	<b>DESCRIPTION</b>	<b>MODEL</b>
1	881350	COVER ENDCAP LHB RHT CH 680/790	
	881351	COVER ENDCAP LHT RHB CH 680/790	
2	881359	CAP DOOR END OUTER CH 790	
3	881348	BEARING HINGE LHB RHT CH 680/790	
	881349	BEARING HINGE LHT RHB CH 680/790	
4	* 315110P	DOOR ASSY FC SS CH CAP 790 RH	
		<i>877955 MAGNET DOOR SWITCH</i>	
		<i>881359 CAP DOOR END OUTER CH 790</i>	
	* 315111P	DOOR ASSY FC SS CH CAP 790 LH	
		<i>877955 MAGNET DOOR SWITCH</i>	
		<i>881359 CAP DOOR END OUTER CH 790</i>	
5	874706	LABEL FREEZER GUIDE RF BLUE	
6	882378	BIN DOOR FC 790 T MODEL	
7	882181P	PACK GASK ASSY PUIN 790X415 FC	
8	881463	BEARING DR CLOSE RH CH 680/790	
	881464	BEARING DR CLOSE LH CH 680/790	
9	871123	PLUG/PIN HINGE DAIRY COVER	
10	880198	COVER DOOR SHELF HS BLU 790 RH	
11	882140	COVER DOOR SHELF 790 LH	
12	882145	SHELF DOOR SML LH 790	
13	882323	SHELF EGG RACK	
14	882146	SHELF DOOR SML RH 790	
15	* 315104P	DOOR ASSY PC SS CH CAP 790 RH	
		<i>877955 MAGNET DOOR SWITCH</i>	
		<i>881359 CAP DOOR END OUTER CH 790</i>	
	* 315105P	DOOR ASSY PC SS CH CAP 790 LH	
		<i>877955 MAGNET DOOR SWITCH</i>	
		<i>881359 CAP DOOR END OUTER CH 790</i>	
16	871129	BIN EGG/ICE MOULD ALL BRANDS	
17	883121	DIVIDER BOTTLE RAIL WHITE	
	883146	DIVIDER BOTTLE RAIL HS Q SILVR	
18	881357	RAIL BOTTLE SUPPORT SATIN 790	
19	876281	PLUG DOOR SHELF WHITE	
20	881355	SHELF DOOR LGE HS Q SILVER 790	
	882100	SHELF DOOR LARGE WHITE 790	
21	882180P	PACK GASK ASSY PUIN 790X1172 P	
22	881044	SCREW #8X22 WAFER PHIL STZP	





**DOOR ASSEMBLIES TOP FREEZER**

<b>REF</b>	<b>PART</b>	<b>DESCRIPTION</b>	<b>MODEL</b>
23	881391	PLATE HANDLE SUPPORT PLATED	
24	878985	HANDLE DR SS SHORT	
25	878984	HANDLE DR SS LONG	
26	871141	SCREW 8X25 PAN NIB PH STZP	
	881160	SCREW 8X3/4 PAN PH STZP	
27	881575	BOOKLET USE & CARE QUANTUM SS	
NI	479151	LEAFLET SM/CARE WARRNTY REG NZ	
	479186	LEAFLET SM/CARE WARRNTY REG AU	
NI	882163	LEAFLET UK PLUG REPLACEMENT	



**DOOR ASSEMBLIES BOTTOM FREEZER**

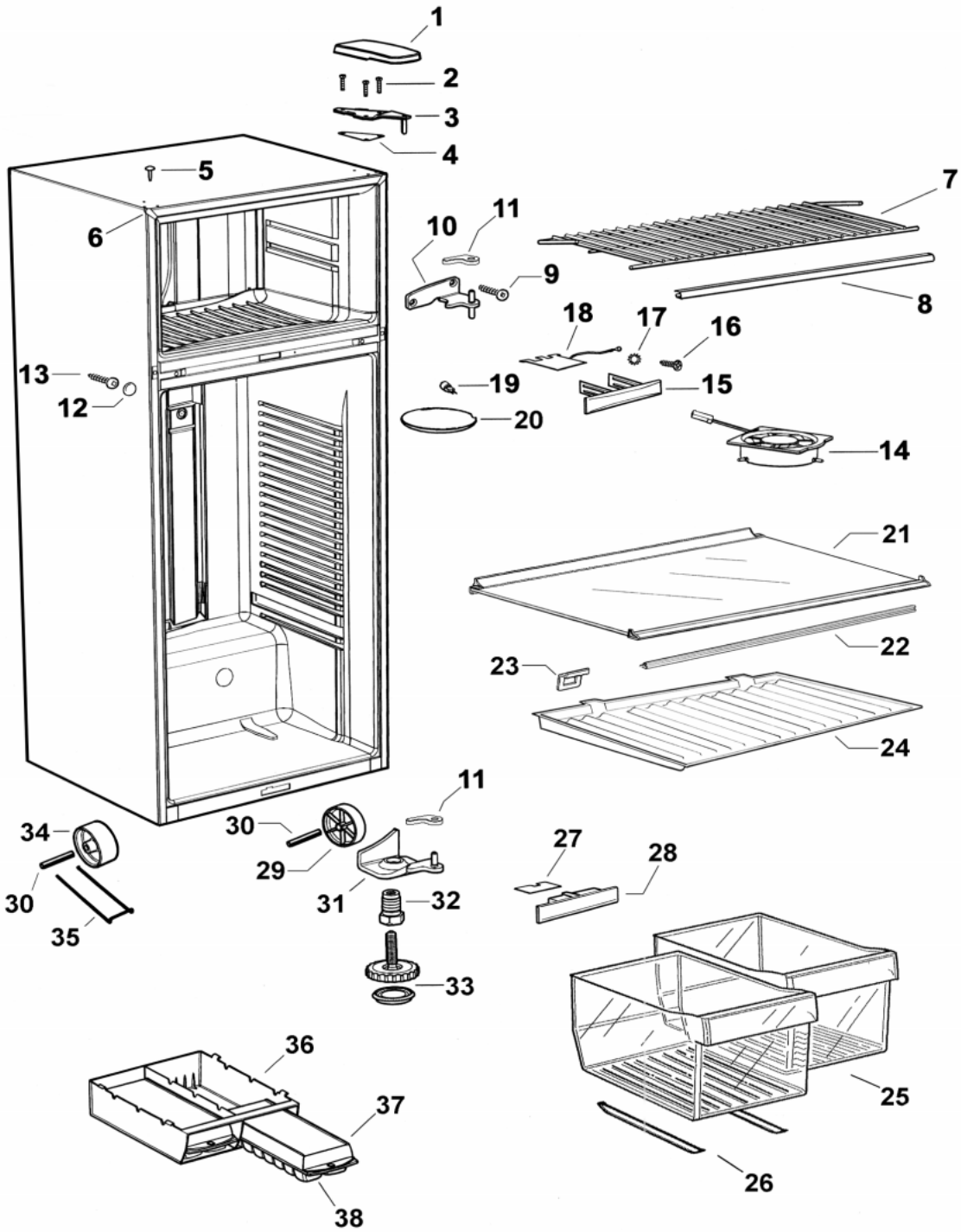
<b>REF</b>	<b>PART</b>	<b>DESCRIPTION</b>	<b>MODEL</b>
1	881350	COVER ENDCAP LHB RHT CH 680/790	
	881351	COVER ENDCAP LHT RHB CH 680/79	
2	881359	CAP DOOR END OUTER CH 790	
3	881348	BEARING HINGE LHB RHT CH 680/790	
	881349	BEARING HINGE LHT RHB CH 680/7	
4	871123	PLUG/PIN HINGE DAIRY COVER	
5	880198	COVER DOOR SHELF HS BLU 790 RH	
6	882323	SHELF EGG RACK	
7	882146	SHELF DOOR SML RH 790	
8	882140	COVER DOOR SHELF 790 LH	
9	882145	SHELF DOOR SML LH 790	
10	* 315106P	DOOR ASSY PC SS CH CAP 790 RH	
		<i>877955 MAGNET DOOR SWITCH</i>	
		<i>881359 CAP DOOR END OUTER CH 790</i>	
	* 315107P	DOOR ASSY PC SS CH CAP 790 LH	
		<i>877955 MAGNET DOOR SWITCH</i>	
		<i>881359 CAP DOOR END OUTER CH 790</i>	
11	883121	DIVIDER BOTTLE RAIL WHITE	
	883146	DIVIDER BOTTLE RAIL HS Q SILVR	
12	881357	RAIL BOTTLE SUPPORT SATIN 790	
13	876281	PLUG DOOR SHELF WHITE	
14	881355	SHELF DOOR LGE HS Q SILVER 790	
	882100	SHELF DOOR LARGE WHITE 790	
15	882178P	PACK GASK ASSY PUIN 790X1001 P	
16	881463	BEARING DR CLOSE RH CH 680/790	
	881464	BEARING DR CLOSE LH CH 680/790	
17	874706	LABEL FREEZER GUIDE RF BLUE	
18	* 315108P	DOOR ASSY FC SS CH CAP 790 RH	
		<i>877955 MAGNET DOOR SWITCH</i>	
		<i>881359 CAP DOOR END OUTER CH 790</i>	
	* 315109P	DOOR ASSY FC SS CH CAP 790 LH	
		<i>877955 MAGNET DOOR SWITCH</i>	
		<i>881359 CAP DOOR END OUTER CH 790</i>	
19	882179P	PACK GASK ASSY PUIN 790X585 FC	
20	871129	BIN EGG/ICE MOULD ALL BRANDS	
21	881044	SCREW #8X22 WAFER PHIL STZP	
22	881391	PLATE HANDLE SUPPORT PLATED	



**DOOR ASSEMBLIES BOTTOM FREEZER**

<b>REF</b>	<b>PART</b>	<b>DESCRIPTION</b>	<b>MODEL</b>
23	878984	HANDLE DR SS LONG	
24	878985	HANDLE DR SS SHORT	
25	871141	SCREW 8X25 PAN NIB PH STZP	
	881160	SCREW 8X3/4 PAN PH STZP	

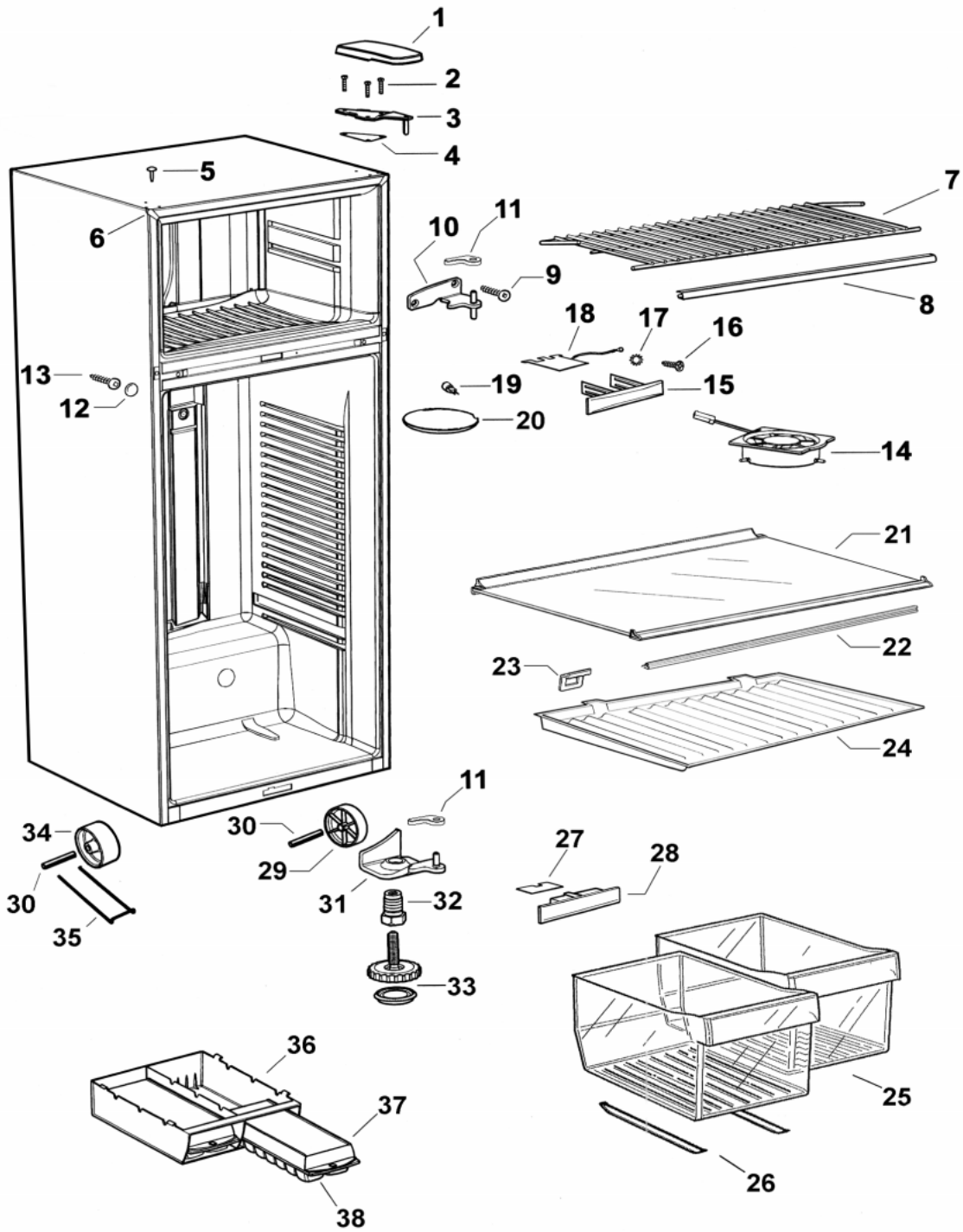
# CABINET TOP FREEZER



**CABINET TOP FREEZER**

<b>REF</b>	<b>PART</b>	<b>DESCRIPTION</b>	<b>MODEL</b>
1	881314	COVER TOP HINGE CH	
2	610312	SCREW MC M5X20 HEX PH MS ZNPL	
3	880526	BRACKET TOP HINGE ASSY (PLATED)	
4	882355	GASKET TOP HINGE	
5	881244	PLUG TAPPED HOLE CHARCOAL	
6	881243	TRIM CORNER CHARCOAL	
7	877927	SHELF TOP FC WHITE 790	
8	877702	TRIM SHELF PC 790 WHITE	
9	880656	SCREW 10GX25CSK SQ SS	
10	881283	BRACKET CTR HINGE RH PLATED	
	881286	BRACKET CTR HINGE LH PLATED	
11	881270	CAP DOOR CLOSING RH HGE BRKT	
	881271	CAP DOOR CLOSING LH HGE BRKT	
12	881295	CAP SCREW CROSS RAIL CHARCOAL	
13	880655	SCREW 10X19 AB NO 2 SQ ZNPL	
14	880820	FAN & HOUSING PC ASSY ST3	
		<i>872956 AMP HOUSING FEMALE 172233-1</i>	
		<i>878545 AMP PIN 16-20AWG 171680-1</i>	
	*	<i>878582 SPRING FAN SUSPENDED</i>	
	*	<i>878583 HOUSING FAN SUSPENDED</i>	
		<i>881147 FAN MOTOR DC SUSPENDED PC ASSY</i>	
	881438P	FAN & HOUSING PC ASSY ST4	
	*	<i>878582 SPRING FAN SUSPENDED</i>	
	*	<i>878583 HOUSING FAN SUSPENDED</i>	
		<i>881408 MOTOR FAN ASSY DC SUSP PC ST4</i>	
		<i>881592 MOLEX CAP FEMALE 51139-0200</i>	
		<i>881598 MOLEX PIN 20-26AWG 50600-8100 (20-26AWG)</i>	
15	880542	COVR REED SW CTR X/RAIL WH ST3	
	881420	COVER REED SW X/R & BTM WH ST4	
16	900475	SCREW 8X16.4MM SP PAN NIB ST	
17	900101	WASHER LOCK NO 10 EXT SP ZP	
18	880643P	SWITCH REED+HARN XTN XRAIL ST3	
	* 883253P	SWITCH REED X/RAIL FIELD FIX KIT ST3	
	881223P	SWITCH REED FIELD FIX KIT ST4	
19	874017	LAMP HALOGEN PC P42	
20	875318	COVER LAMP PC P42	

# CABINET TOP FREEZER

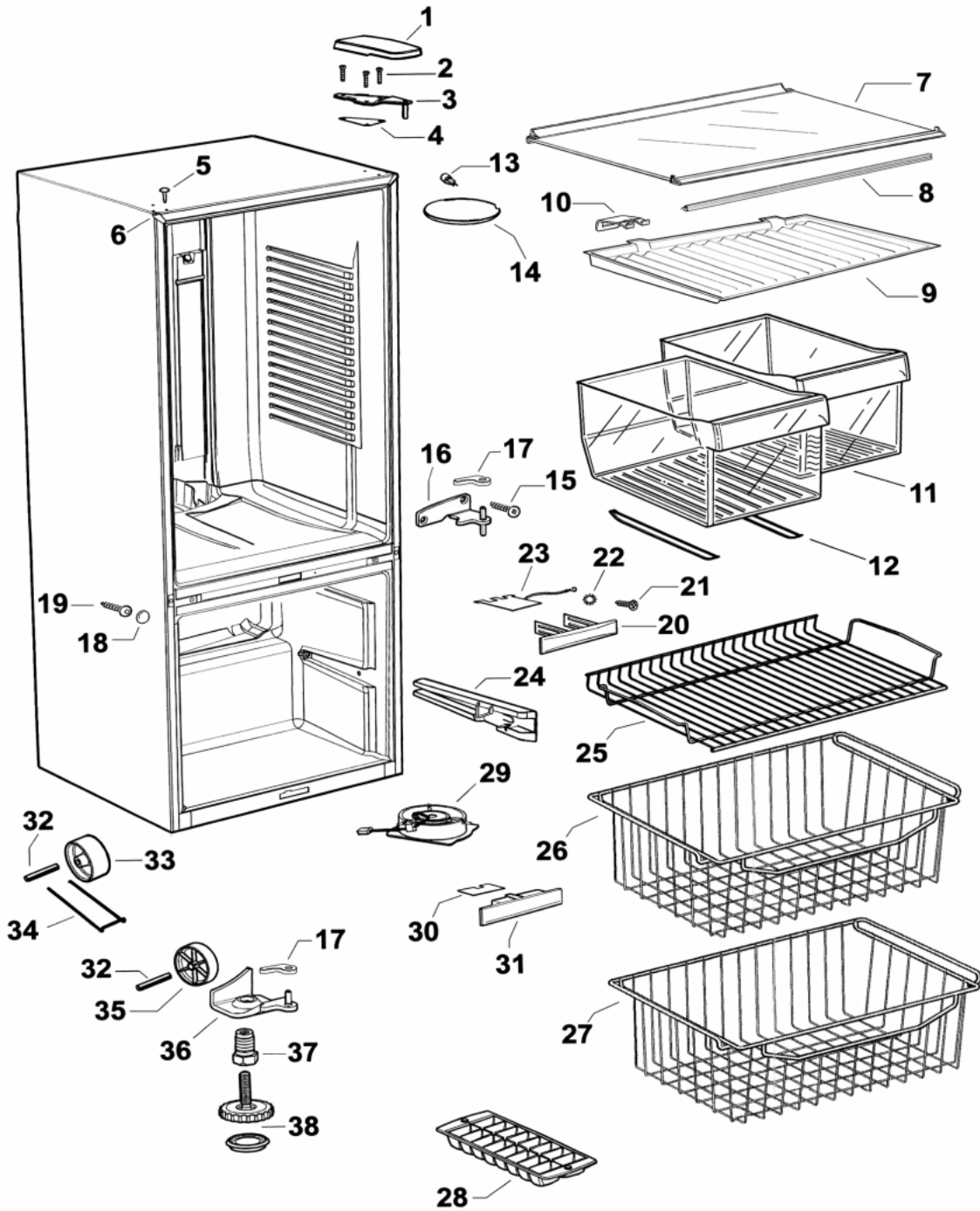




**CABINET TOP FREEZER**

<b>REF</b>	<b>PART DESCRIPTION</b>	<b>MODEL</b>
21	881299 SHELF GLASS PC SC ASSY 790	
	<i>881254 SHELF GLASS PC 790</i>	
	<i>881257 EXTRUSN FRT GLASS SHELF SC 790</i>	
	<i>881260 EXTRUSN REAR GLAS SHELF SC 790</i>	
	<i>881261 PLUG REAR EXTRUSN RH ALL MODLS</i>	
	<i>881262 PLUG REAR EXTRUSN LH ALL MODLS</i>	
	<i>881302 PLUG FRONT EXTRUSN RH 680/790</i>	
	<i>881303 PLUG FRONT EXTRUSN LH 680/790</i>	
22	881267 EXTRUSION HCL SUPPORT 790	
23	881269 BRACKET HCL SUPPORT T GL SH	
24	882200 LID CRISPER HUMIDITY 790T	
25	882103 BIN CRISPER T MODEL 790	
26	882352 FOOT RUNNER CRISP 'T' 790	
27	880657P SWITCH DOOR BASE PANEL ST3	
	881223P SWITCH REED FIELD FIX KIT ST4	
28	881296 COVR REED SWITCH B/PANL CH ST3	
	881422 COVR REED SWITCH B/PANL CH ST4	
29	871132 FOOT ROLLER	
30	871017 PIN ROLLER PLATED	
31	881274 BRACKET BTTM HINGE RH PLATED	
	881277 BRACKET BTTM HINGE LH PLATED	
32	880959 BOLT BTTM HINGE BRKT	
33	880512 FOOT LEVELLING ASSEMBLY	
	<i>880519 BASE LEVELLING FOOT</i>	
34	880545 ROLLER FOOT	
35	871041 CLIP ROLLER	
36	872963 TRAY ICE HOLDER	
37	874108 TRAY ICE LID	
38	874107 TRAY ICE BASE	

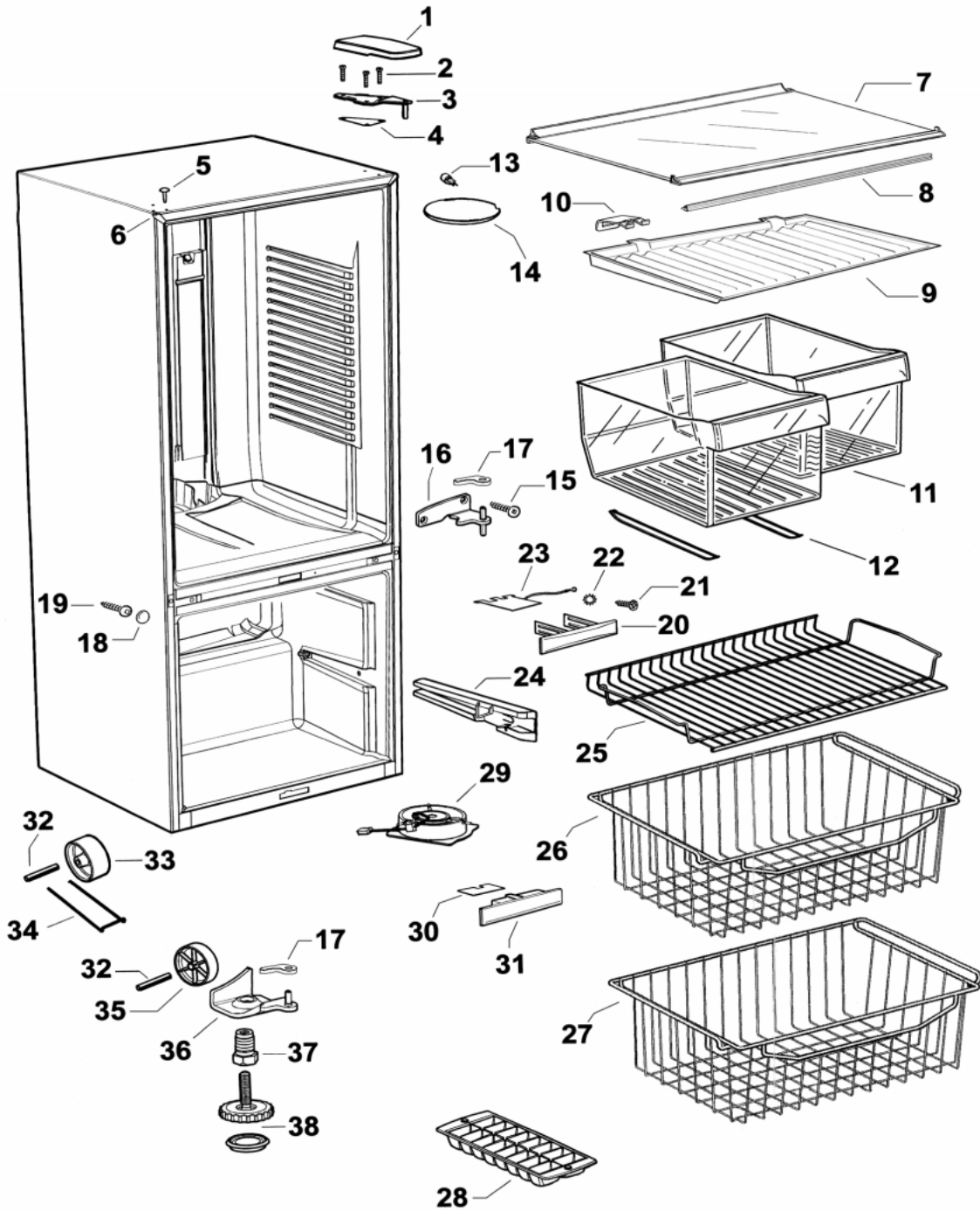
# CABINET BOTTOM FREEZER



**CABINET BOTTOM FREEZER**

<b>REF</b>	<b>PART</b>	<b>DESCRIPTION</b>	<b>MODEL</b>
1	881314	COVER TOP HINGE CH	
2	610312	SCREW MC M5X20 HEX PH MS ZNPL	
3	880526	BRACKET TOP HINGE ASSY (PLATED)	
4	882355	GASKET TOP HINGE	
5	881244	PLUG TAPPED HOLE CHARCOAL	
6	881243	TRIM CORNER CHARCOAL	
7	881299	SHELF GLASS PC SC ASSY 790	
		<i>881254 SHELF GLASS PC 790</i>	
		<i>881257 EXTRUSN FRT GLASS SHELF SC 790</i>	
		<i>881260 EXTRUSN REAR GLAS SHELF SC 790</i>	
		<i>881261 PLUG REAR EXTRUSN RH ALL MODLS</i>	
		<i>881262 PLUG REAR EXTRUSN LH ALL MODLS</i>	
		<i>881302 PLUG FRONT EXTRUSN RH 680/790</i>	
		<i>881303 PLUG FRONT EXTRUSN LH 680/790</i>	
8	881267	EXTRUSION HCL SUPPORT 790	
9	882201	LID CRISPER HUMIDITY 790B	
10	881268	BRACKET HCL SUPPORT B GL SH	
11	875309	BIN CRISPER B MODEL 790	
12	875287	FOOT CRISPER RUNNER B	
13	874017	LAMP HALOGEN PC P42	
14	875318	COVER LAMP PC P42	
15	880656	SCREW 10GX25CSK SQ SS	
16	881283	BRACKET CTR HINGE RH PLATED	
	881286	BRACKET CTR HINGE LH PLATED	
17	881270	CAP DOOR CLOSING RH HGE BRKT	
	881271	CAP DOOR CLOSING LH HGE BRKT	
18	881295	CAP SCREW CROSS RAIL CHARCOAL	
19	880655	SCREW 10X19 AB NO 2 SQ ZNPL	
20	880542	COVR REED SW CTR X/RAIL WH ST3	
	881420	COVER REED SW X/R & BTM WH ST4	
21	900475	SCREW 8X16.4MM SP PAN NIB ST	
22	900101	WASHER LOCK NO 10 EXT SP ZP	
23	880643P	SWITCH REED+HARN XTN XRAIL ST3	
	* 883253P	SWITCH REED X/RAIL FIELD FIX KIT ST3	
	881223P	SWITCH REED FIELD FIX KIT ST4	

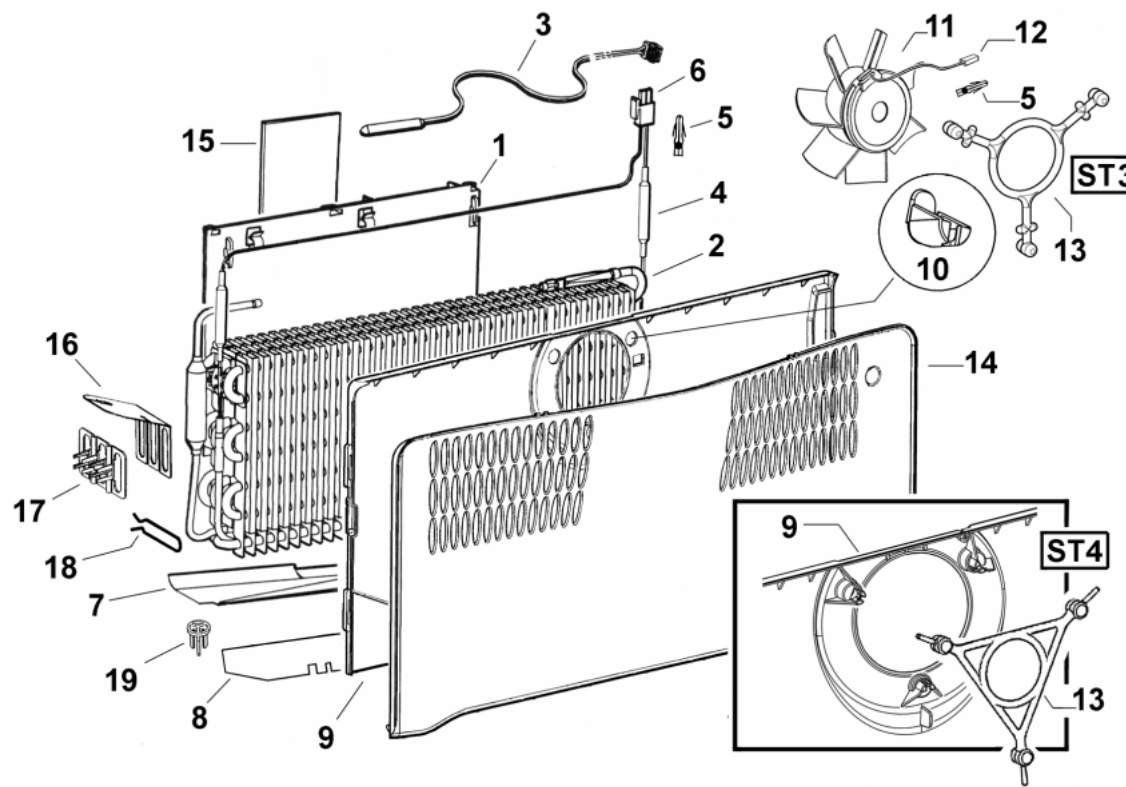
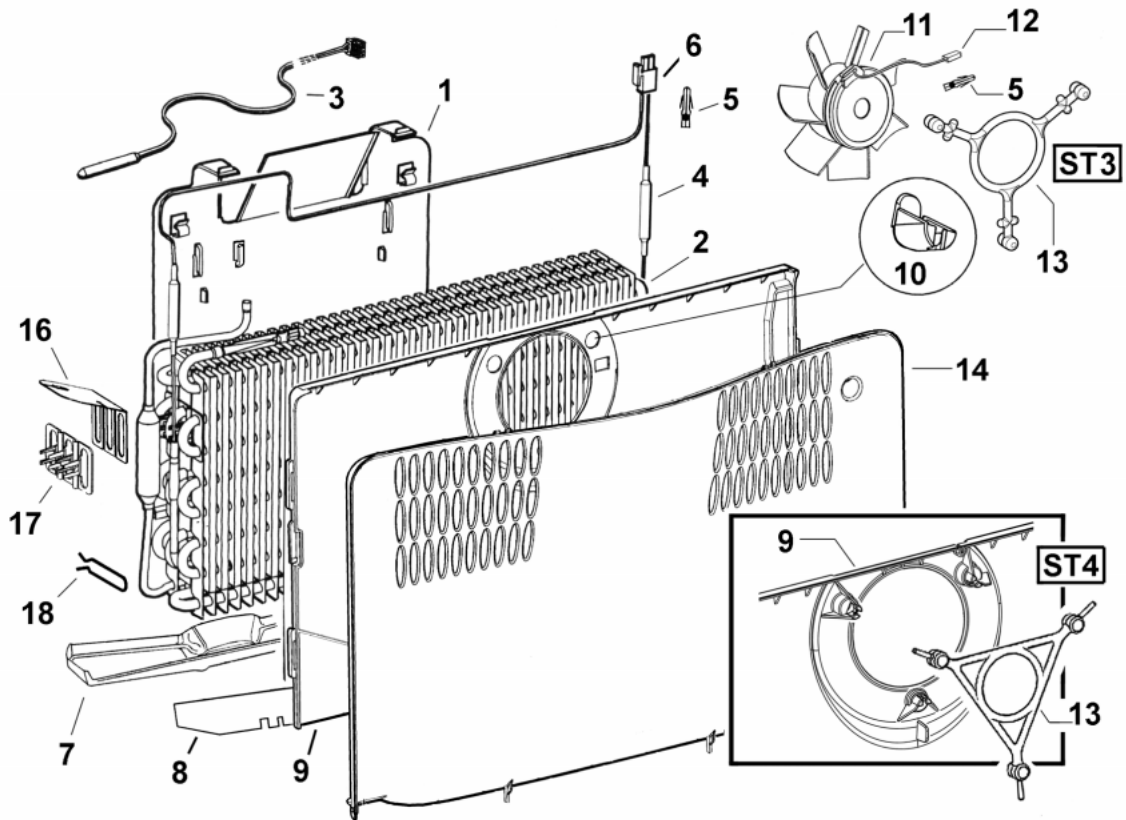
# CABINET BOTTOM FREEZER



**CABINET BOTTOM FREEZER**

<b>REF</b>	<b>PART</b>	<b>DESCRIPTION</b>	<b>MODEL</b>
24	871145	RUNNER FC BASKET ASSY B MOD RH	
		<i>855143 WHEEL BASKET SUPPORT B VF</i>	
		<i>901323 PIN FC BASKET RUNNER P42</i>	
	871146	RUNNER FC BASKET ASSY B MOD LH	
		<i>855143 WHEEL BASKET SUPPORT B VF</i>	
		<i>901323 PIN FC BASKET RUNNER P42</i>	
25	877930	SHELF FC B MODEL 790	
26	877936	BASKET FC TOP B MODEL 790	
27	877933	BASKET FC BTM B MODEL 790	
28	874107	TRAY ICE BASE	
29	880820	FAN & HOUSING PC ASSY ST3	
		<i>872956 AMP HOUSING FEMALE 172233-1</i>	
		<i>878545 AMP PIN 16-20AWG 171680-1</i>	
	*	<i>878582 SPRING FAN SUSPENDED</i>	
	*	<i>878583 HOUSING FAN SUSPENDED</i>	
		<i>881147 FAN MOTOR DC SUSPENDED PC ASSY</i>	
	881438P	FAN & HOUSING PC ASSY ST4	
	*	<i>878582 SPRING FAN SUSPENDED</i>	
	*	<i>878583 HOUSING FAN SUSPENDED</i>	
		<i>881408 MOTOR FAN ASSY DC SUSP PC ST4</i>	
		<i>881592 MOLEX CAP FEMALE 51139-0200</i>	
		<i>881598 MOLEX PIN 20-26AWG 50600-8100 (20-26AWG)</i>	
30	880657P	SWITCH DOOR BASE PANEL ST3	
	881223P	SWITCH REED FIELD FIX KIT ST4	
31	881296	COVR REED SWITCH B/PANL CH ST3	
	881422	COVR REED SWITCH B/PANL CH ST4	
32	871017	PIN ROLLER PLATED	
33	871132	FOOT ROLLER	
34	871041	CLIP ROLLER	
35	880545	ROLLER FOOT	
36	881274	BRACKET BTM HINGE RH PLATED	
	881277	BRACKET BTM HINGE LH PLATED	
37	880959	BOLT BTM HINGE BRKT	
38	880512	FOOT LEVELLING ASSEMBLY	
		<i>880519 BASE LEVELLING FOOT</i>	

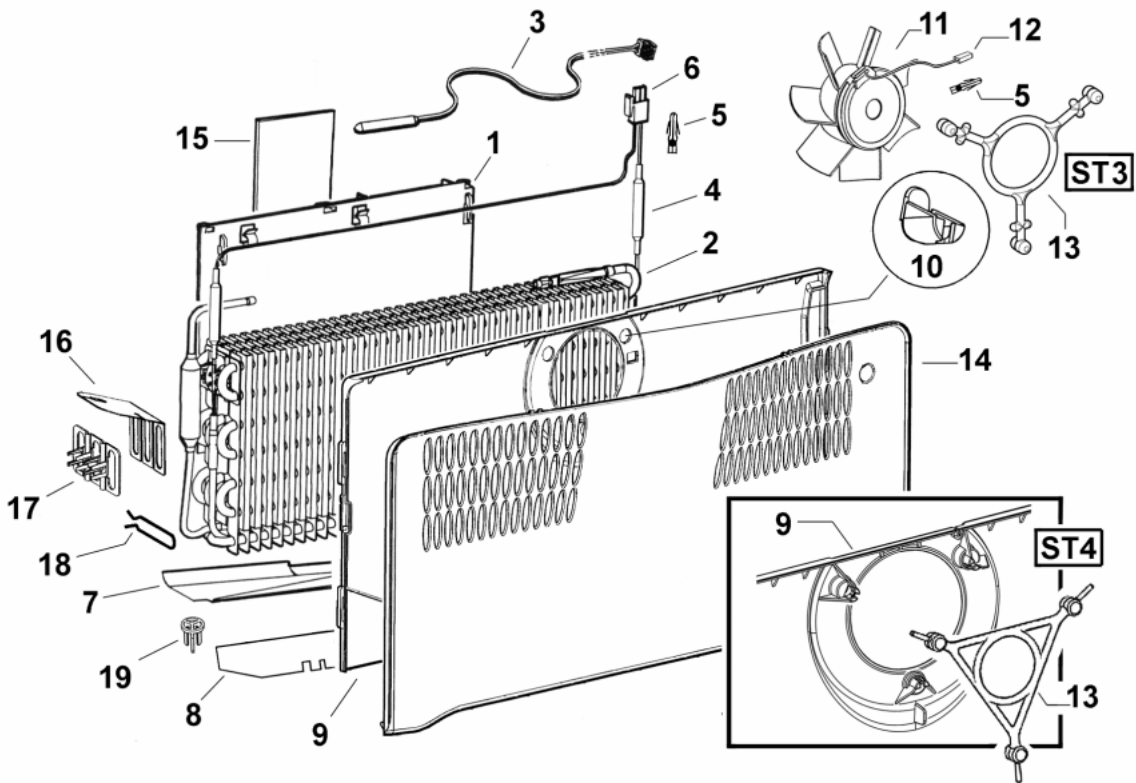
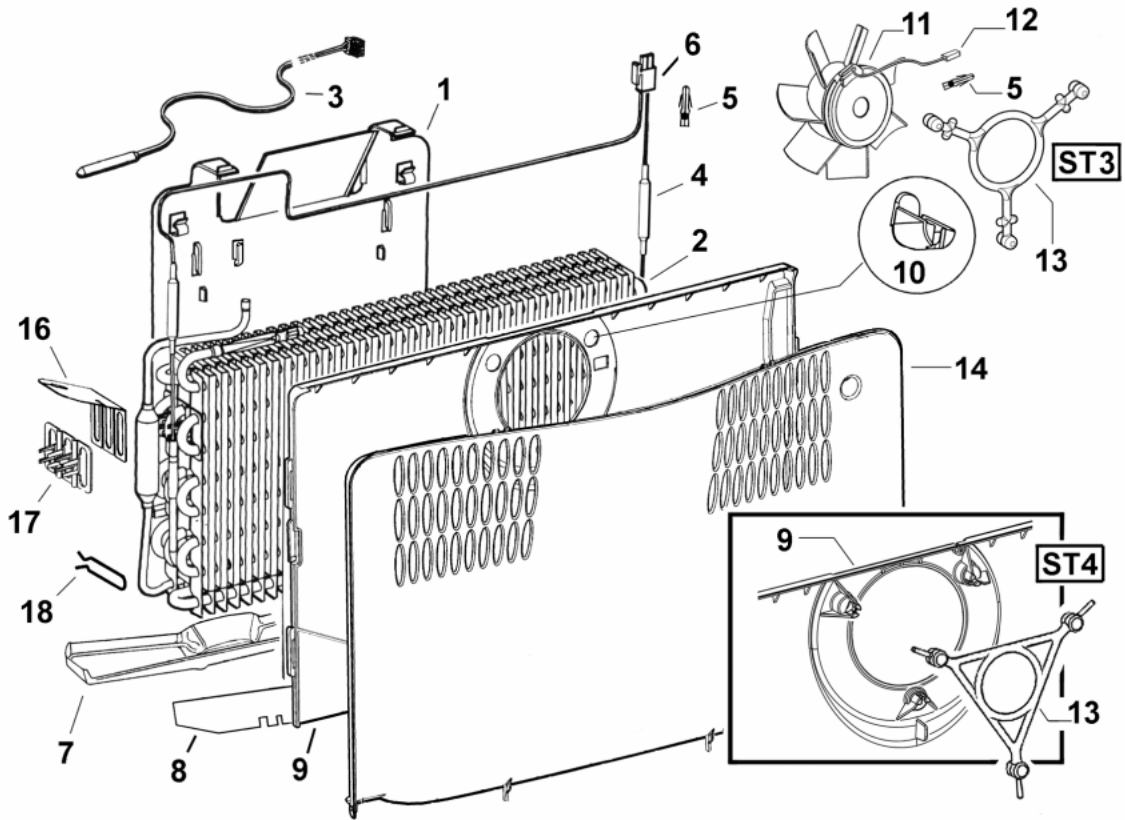
### FAN AND EVAPORATOR ASSEMBLIES



**FAN AND EVAPORATOR ASSEMBLIES**

<b>REF</b>	<b>PART</b>	<b>DESCRIPTION</b>	<b>MODEL</b>
1	880495	CHASSIS EVAP T MODEL	E521TL
	880495	CHASSIS EVAP T MODEL	E521TR
	880494	CHASSIS EVAP B MODEL 790	E522BL
	880494	CHASSIS EVAP B MODEL 790	E522BR
2	874088	EVAP SERV KIT 790T 240V ST3	
	874089	EVAP SERV KIT 790B 240V ST3	
	881436P	EVAP SERV KIT 790T 240V ST4	
	881437P	EVAP SERV KIT 790B 240V ST4	
	881434P	EVAP SERV KIT 790T 110V ST4	
	881435P	EVAP SERV KIT 790B 110V ST4	
3	855203P	SENSOR KIT ASSY	
4	874171	HEATER DEF ASSY 790 240V ST3	
		<i>872957 AMP SKT 16-20AWG 171639-1</i>	
		<i>873988 PLUG 2WAY HSG AMP MATE-N-LOK</i>	
	881414P	HEATER DEF ASSY 790 110V ST4	
		<i>881593 MOLEX PLUG MALE 51138-0200</i>	
		<i>881595 MOLEX SKT 16-22AWG 50597-8100 (16-22AWG)</i>	
	881415P	HEATER DEF ASSY 790 240V ST4	
		<i>881593 MOLEX PLUG MALE 51138-0200</i>	
		<i>881595 MOLEX SKT 16-22AWG 50597-8100 (16-22AWG)</i>	
5	872957	AMP SKT 16-20AWG 171639-1	
6	873988	PLUG 2WAY HSG AMP MATE-N-LOK	
7	874163	SHIELD DRAIN HTR DEF T MOD 790	E521TL
	874163	SHIELD DRAIN HTR DEF T MOD 790	E521TR
	873953	SHIELD DRAIN HTR DEF B MOD 790	E522BL
	873953	SHIELD DRAIN HTR DEF B MOD 790	E522BR
8	880279	SHIELD HEATER FC COVER 790	
9	* 880953	COVER FAN FC REAR 790	
	* 882843	COVER ASSY FAN FC REAR 790	
10	* 880543	CLIP FAN SUSPENDED FC LONG TOP	
	* 880544	CLIP FAN SUSPEND FC SHORT BTM	

# FAN AND EVAPORATOR ASSEMBLIES

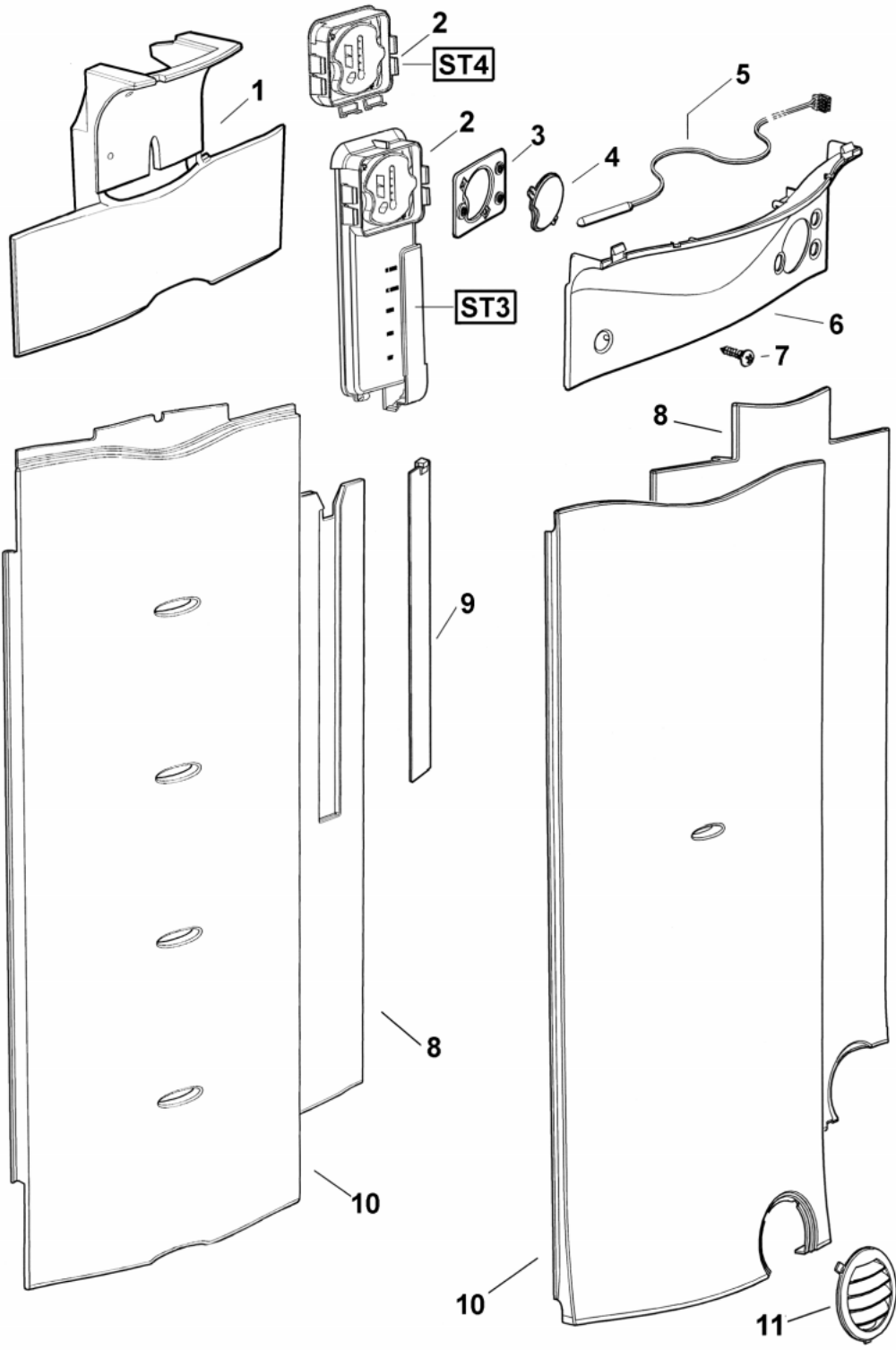




## FAN AND EVAPORATOR ASSEMBLIES

REF	PART	DESCRIPTION	MODEL
11	* 880923	MOTOR ASSY FAN FC SUSP 12V ST3	
		<i>872956 AMP HOUSING FEMALE 172233-1</i>	
		<i>878545 AMP PIN 16-20AWG 171680-1</i>	
	881409P	MOTOR ASSY FAN FC SUSP 12V ST4	
		<i>881409 MOTOR ASSY FAN FC SUSP 12V ST4</i>	
		<i>881592 MOLEX CAP FEMALE 51139-0200</i>	
		<i>881598 MOLEX PIN 20-26AWG 50600-8100 (20-26AWG)</i>	
12	872956	AMP HOUSING FEMALE 172233-1	
13	880952	SPRING FAN SUSPENEDED FC	
	* 882956	SPRING FAN SUSPD FC TRIANGULAR	
14	873396	COVER FAN FC FRONT 790T	E521TL
14	873396	COVER FAN FC FRONT 790T	E521TR
	873395	COVER FAN FC FRONT 790B	E522BL
	873395	COVER FAN FC FRONT 790B	E522BR
15	872596	DEFLECTOR CHASSIS HTR 790B	E522BL
	872596	DEFLECTOR CHASSIS HTR 790B	E522BR
16	880724	DEFLECTOR AIR FLOW	
17	871463	CLIP TUBE EVAP PLASTIC	
18	855299	CLIP HEATER 20MM EVAP FIN	
19	876771	FILTER 'P' CATCHER DRAIN	E522BL
	876771	FILTER 'P' CATCHER DRAIN	E522BR

# ELECTRONIC MODULE AND DUCT COVERS



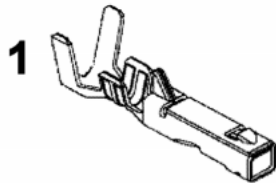
**ELECTRONIC MODULE AND DUCT COVERS**

<b>REF</b>	<b>PART</b>	<b>DESCRIPTION</b>	<b>MODEL</b>
1	880759	INSULATION COVER DUCT TOP	E521TL
	880759	INSULATION COVER DUCT TOP	E521TR
2	881219P	MODULE DISPLAY ELEC NON BC ST4	
	882780P	MODULE CONTROL/DISP NON BC ST3	
3	880779	GASKET CONTROL BOX ELECTRONIC	
4	874723	LENS L.E.D. PRINTED ELECT ASSY	
5	855203P	SENSOR KIT ASSY	
6	881325	COVR DUCT TOP T&H MOD HS MD GY	E521TL
	881325	COVR DUCT TOP T&H MOD HS MD GY	E521TR
	881336	COVER DUCT TOP B MODL HS MD GY	E522BL
	881336	COVER DUCT TOP B MODL HS MD GY	E522BR
7	900475	SCREW 8X16.4MM SP PAN NIB ST	
8	880259	INSULATION COVER DUCT LONG T	E521TL
	880259	INSULATION COVER DUCT LONG T	E521TR
	877840	INSULATION COVER DUCT 790B	E522BL
	877840	INSULATION COVER DUCT 790B	E522BR
9	880571	HTR PCB LO AMB T&H MODELS ST4	
	881482	HTR PCB LO AMB T&H MODELS ST3	
10	873583	COVER DUCT T MODEL LONG	E521TL
	873583	COVER DUCT T MODEL LONG	E521TR
	880358	COVER DUCT PC	E522BL
	880358	COVER DUCT PC	E522BR
11	877922	GRILLE ROUND-AIR RETURN B 790	E522BL
	877922	GRILLE ROUND-AIR RETURN B 790	E522BR

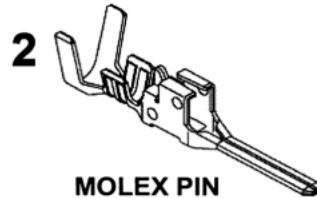
## ACTV SMART ST4 TERMINALS PLUGS & SOCKETS

### ACTIVE SMART STAGE 4

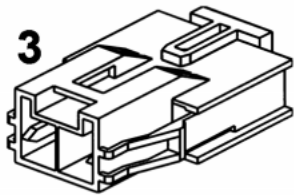
#### TERMINALS, PLUGS AND SOCKETS



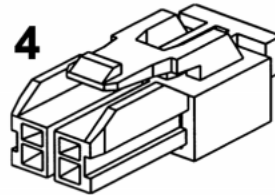
**1**  
MOLEX SKT



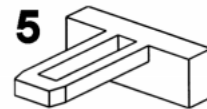
**2**  
MOLEX PIN



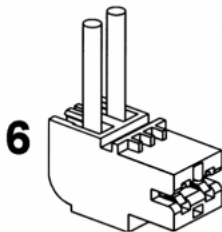
**3**  
MOLEX CAP FEMALE



**4**  
MOLEX PLUG MALE



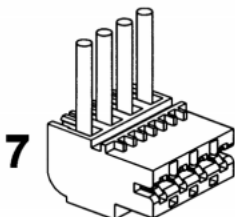
**5**  
MOLEX RETAINER



- 881588 STOCKO 9290-02-AB01-000-960 (Mains cord)
- 881589 STOCKO 9290-02-BA01-000-960 (Defrost Heater)
- 881590 STOCKO 9290-02-EE01-000-960 (Run Capacitor)

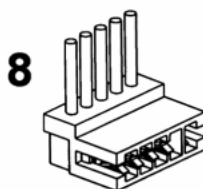
PIN 1

NOTE THAT IN THE PART NAMES OF THESE CONNECTORS, THE -02- REFERS TO IT BEING A 2 WAY CONNECTOR, AND THE -AB01- (FOR EXAMPLE) REFERS TO THE CODING OF THE CONNECTOR. STOCKO IS THE MANUFACTURER OF THESE CONNECTORS.



- 881591 STOCKO 9290-04-EF02-000-960  
(COMPRESSOR CABLE)

PIN 1



- NEW EDGE CONNECTOR SERIES WITH INTERNAL CODING –  
NOTE THE WALL.

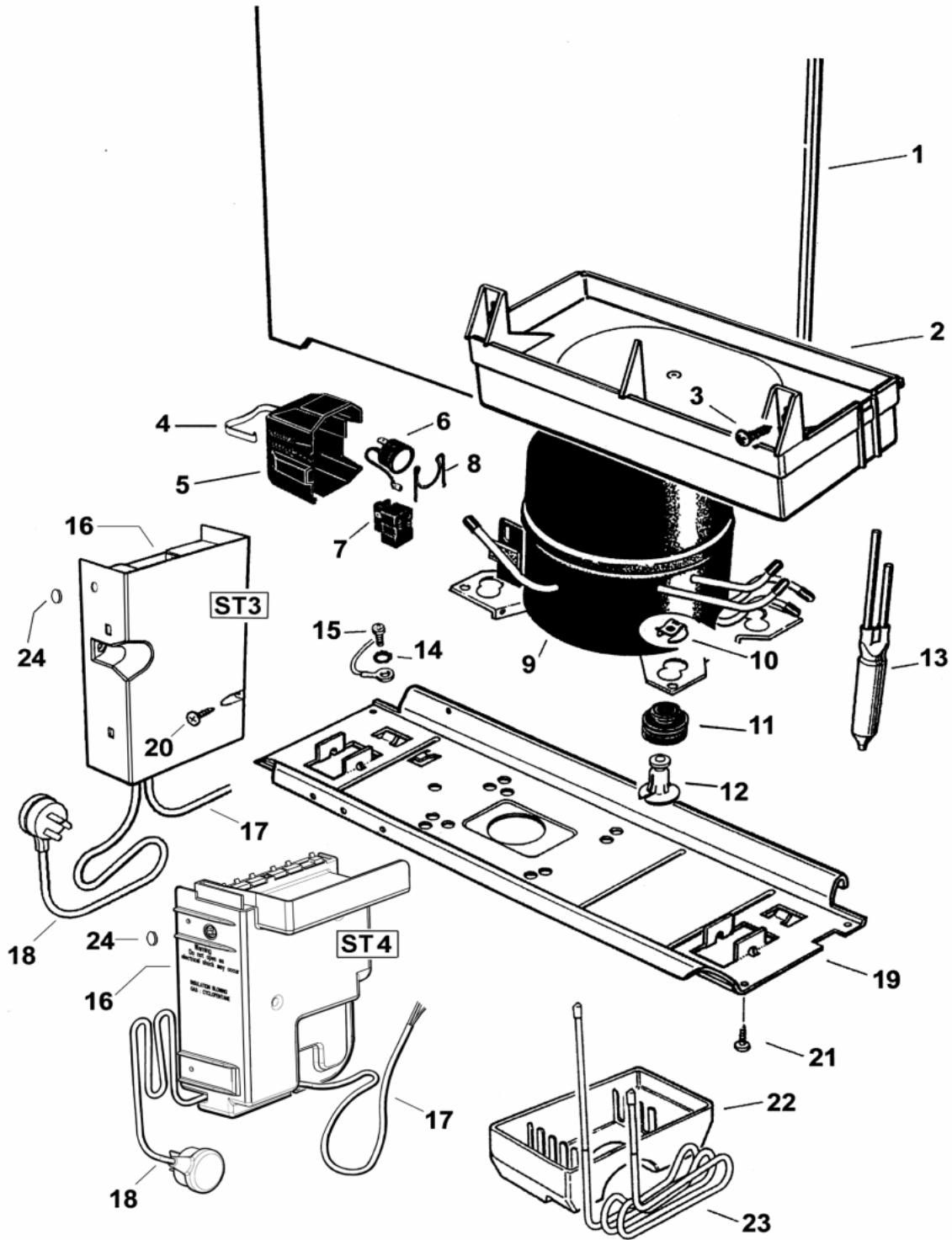
PIN 1

NOTE: TO MINIMISE THE NUMBER OF SPARE PARTS THAT NEED TO BE CARRIED, THESE CODED CONNECTORS ARE TO BE REPLACED WITH THEIR UN-CODED EQUIVALENTS. FOR THE 3, 5 AND 6 WAY CONNECTORS USED ON STAGE 4 CABINETS

**ACTV SMART ST4 TERMINALS PLUGS & SOCKETS**

<b>REF</b>	<b>PART</b>	<b>DESCRIPTION</b>	<b>MODEL</b>
1	881595	MOLEX SKT 16-22AWG 50597-8100 (16-22AWG)	
	881596	MOLEX SKT 20-26AWG 50598-8100 (20-26AWG)	
2	881597	MOLEX PIN 16-22AWG 50599-8100 (16-22AWG)	
	881598	MOLEX PIN 20-26AWG 50600-8100 (20-26AWG)	
3	881592	MOLEX CAP FEMALE 51139-0200	
4	881593	MOLEX PLUG MALE 51138-0200	
5	881594	MOLEX RETAINER 51140-0205	
6	881588	STOCKO 9290-02-AB01-000-960 (MAINS CORD)	
	881589	STOCKO 9290-02-BA01-960 (DEFROST HEATER)	
	881590	STOCKO 9290-02-EE01-000-960 (RUN CAP)	
7	881591	STOCKO 9290-04-EF02-000-960 (COMP CABLE)	
8	873243	STOCKO 7234-012-500-450	
	873247	STOCKO 7234-006-500-450	
	873248	STOCKO 7234-010-500-450	
	873250	STOCKO 7234-004-500-450	
	873251	STOCKO 7234-003-500-450	
	873279	STOCKO 7234-008-500-450	
	881135	STOCKO 7234-005-500-450	
	881136	STOCKO 7234-014-500-450	
	881137	STOCKO 7234-017-500-450	

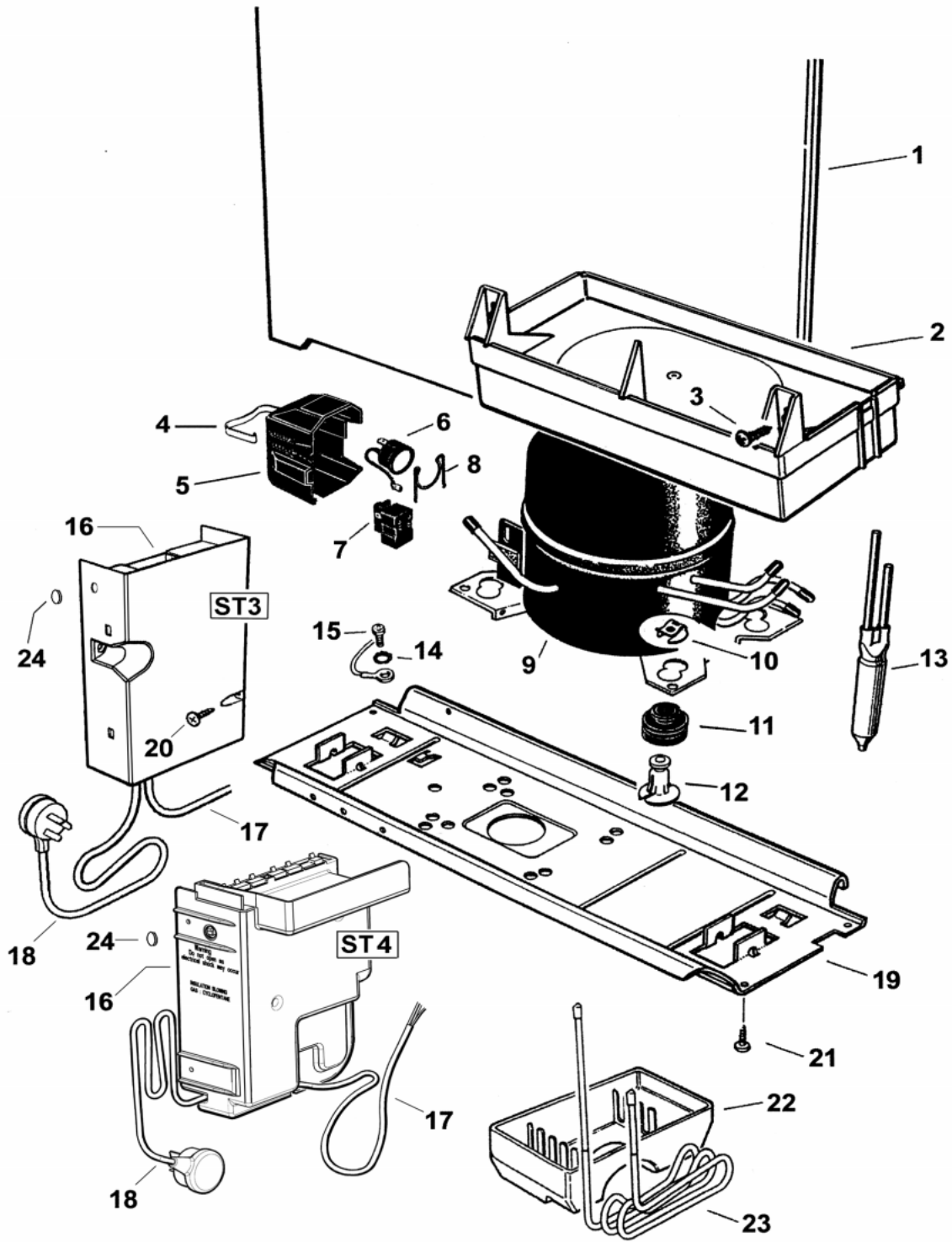
# COMPRESSOR AND POWER MODULE



**COMPRESSOR AND POWER MODULE**

<b>REF</b>	<b>PART</b>	<b>DESCRIPTION</b>	<b>MODEL</b>
1	882137	PANEL BACK ASSEMBLY	
2	876653	TRAY WATER EVAPORATOR NOTCHED	
	880884	TRAY WATER EVAP TOP HAT	
3	SP0201P	SCREW 8X12 PAN PH NIB PKT10	
4	209673#	CLAMP PROTECTOR COVER MAT	
5	209078	COVER PROTECTOR COMPRESSOR MAT	
	209995	PROTECTOR COVER EMBRACO	
6	209080	O/LOAD MM3-19ECF	
	209083	O/LOAD MM3-18GCF	
	209994	OVERLOAD COMPR 283KFBYY FGS90	
7	209988	RELAY PTC D SERIES MM8-5DDT33M	
	209993	RELAY PTC EMBRACO 8EA 503	
8	209674	CLIP O/LOAD 01-246801	
9	209493P	COMPR MAT DB91C18R 240V 50HZ	
	209078	<i>COVER PROTECTOR COMPRESSOR MAT</i>	
	209084	<i>O/LOAD MM3-28GCF</i>	
	209673#	<i>CLAMP PROTECTOR COVER MAT</i>	
	209674	<i>CLIP O/LOAD 01-246801</i>	
	209988	<i>RELAY PTC D SERIES MM8-5DDT33M</i>	
	502173	<i>FILTER DRIER 12 GR DUAL BRAZED</i>	
	872838	<i>GROMMET COMPRESSOR MOUNTING</i>	
	209999P	COMPR EMB FGS90HAW 240V 50HZ	
	209674	<i>CLIP O/LOAD 01-246801</i>	
	209993	<i>RELAY PTC EMBRACO 8EA 503</i>	
	209994	<i>OVERLOAD COMPR 283KFBYY FGS90</i>	
	209995	<i>PROTECTOR COVER EMBRACO</i>	
	209996	<i>RETAINER CABLE EMBRACO</i>	
	502173	<i>FILTER DRIER 12 GR DUAL BRAZED</i>	
	872838	<i>GROMMET COMPRESSOR MOUNTING</i>	
10	855270	CLIP FOOT COMPRESSOR	
11	872838	GROMMET COMPRESSOR MOUNTING	
12	850265	PIN COMPRESSOR MNTG	
13	502173	FILTER DRIER 12 GR DUAL BRAZED	
14	900101	WASHER LOCK NO 10 EXT SP ZP	
15	900377	SCREW #8X32X8 TY T PAN PH ZP	
	900475	SCREW 8X16.4MM SP PAN NIB ST	

# COMPRESSOR AND POWER MODULE





**COMPRESSOR AND POWER MODULE**

<b>REF</b>	<b>PART</b>	<b>DESCRIPTION</b>	<b>MODEL</b>
16	880815P	POWER & SWITCH MODULE 240V ST3	
	881212P	MODULE POWER CONTROL 240V ST4	
	881215P	MODULE POWER CONTROL 110V ST4	
17	871388	HARNESS COMPRESSOR 3 CORE ST3	
	871389	HARNESS COMPRESSOR 4 CORE ST3	
	881234	HARNESS COMPRESSOR 3 CORE ST4	
	881235	HARNESS COMPRESSOR 4 CORE ST4	
18	873354	CABLE MAIN 3 FLAT PIN 230V ST3	
	873356	CABLE MAIN 3PIN FUSED 230V ST3	
	881400	CABLE MAIN 3 FLAT PIN 230V ST4	
	881401	CABLE MAIN 3PIN FUSED 230V ST4	
	881402	CABLE MAIN 2 PIN EURO 230V ST4	
	881403	CABLEMAIN3PIN RD EARTH110V ST4	
	881404	CABLE MAIN ASSY 2 FLAT PIN 220V ST4	
		<i>881405 CABLE MAIN 2 FLAT PIN 220V ST4</i>	
		<i>874329 CABLE LEAD EARTH</i>	
		<i>877642 LABEL WARNING 220V ONLY</i>	
19	878489	TRAY COMPRESSOR MOUNTING 790	
20	871452	SCREW 4X20 PH ST	
	880564	SCREW 7 X 20 RD HD NO 2 SQ DR	
21	901525	SCREW 8X16 PAN NIB STZP PHOS C	
22	873228	TRAY WATER OVERFLOW	
23	873040	TUBE HEATER SHEATHED 4.2MM	
24	875861	PLUG PLASTIC LT GREY	
NI	207058	CAPACITOR RUN 4UF 400V ST3	
	207062	CAPACITOR RUN 4UF 400V ST4	
	209914	CAPAC RUN 4UF400V AUS TERM ST3	
NI	880771	LABEL WIRING DIAGRAM 220-240V	
NI	875113	SUCTION & CAPILLARY ASSY	E521TL
	875113	SUCTION & CAPILLARY ASSY	E521TR
	874810	SUCTION & CAPILLARY ASSY	E522BL
	874810	SUCTION & CAPILLARY ASSY	E522BR

## NOTES

### DOOR ASSEMBLIES TOP FREEZER

#### Technical Bulletins

315104P	RF020
315105P	RF020
315110P	RF020
315111P	RF020

### DOOR ASSEMBLIES BOTTOM FREEZER

#### Technical Bulletins

315106P	RF020
315107P	RF020
315108P	RF020
315109P	RF020

### CABINET TOP FREEZER

#### Notes

878582	Only available as complete assembly please order part number 880820
878583	Only available as complete assembly please order part number 880820

### CABINET BOTTOM FREEZER

#### Notes

878582	Only available as complete assembly please order part number 880820
878583	Only available as complete assembly please order part number 880820

### CABINET TOP & BOTTOM FREEZER

#### Technical Bulletins

883253P	RF025
---------	-------

### FAN AND EVAPORATOR ASSEMBLIES

#### Technical Bulletins

880543	RF008
880544	RF008
880923	RF008
880953	RF008
882843	RF021
882956	RF021

## REFRIGERATION ABBREVIATION KEY

### DESCRIPTION KEY

PC	PROVISION COMPARTMENT
FC	FREEZER COMPARTMENT
HCL	HUMIDITY CONTROL LID
HC	HUMIDITY COMPARTMENT
HS	HOT STAMPED
X/RAIL	CROSS RAIL
BC	BUTTER CONDITIONER
BS	"B" SERIES CABINET
CH	CHARCOAL COLOUR
LT GY	LIGHT GREY COLOUR
MD GY	MID GREY COLOUR
DK GY	DARK GREY COLOUR
SATIN or SC	SATIN CHROME FINISH
S/STONE	SANDSTONE COLOUR
SS	STAINLESS STEEL
SL or SIL	SILVER
HAN P/C	HANDLE POWDER COATED
F&P	FISHER & PAYKEL
PUSHIN	PUSHIN TYPE GASKET
LH	LEFT HAND
RH	RIGHT HAND
LHT	LEFT HAND TOP
RHT	RIGHT HAND TOP
LHB	LEFT HAND BOTTOM
RHB	RIGHT HAND BOTTOM
SML	SMALL
DC	DIRECT CURRENT
10W	10 WATTS
12V	12 VOLTS
XH9	TYPE OF DESSICANT WITHIN A FILTER DRYER
M5	5 MILLIMETER